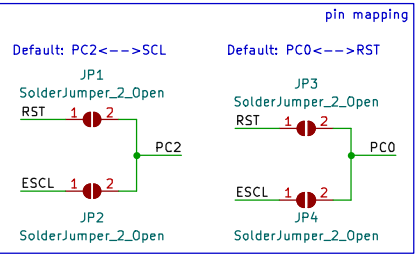
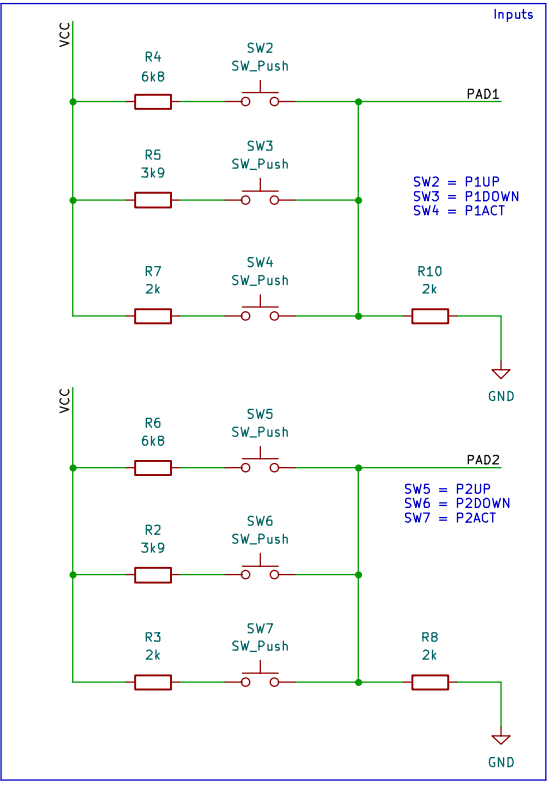
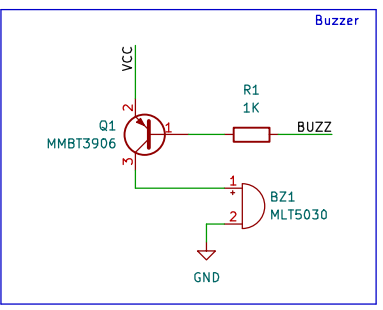
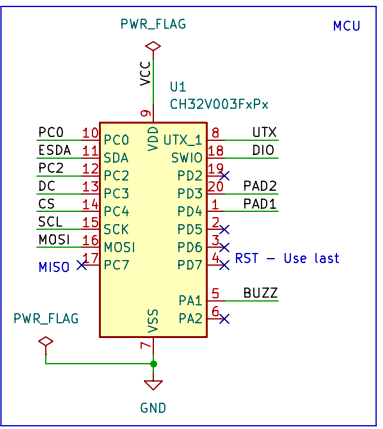


Remarks

- VCC > 2.9V for reliable ADC operation.
- Pushbuttons ADC values:
 UP: 233 / DOWN: 347 / ACTION: 511
 UP+DOWN: 457 / UP+ACTION: 577
 DOWN+ACTION: 616
 UP+DOWN+ACTION: 659
 DEVIATION: 15
- Values if using 1% tolerance resistors.



Mounting

X	H1	MountingHole
X	H2	MountingHole
X	H3	MountingHole
X	H4	MountingHole
X	H5	MountingHole
X	H6	MountingHole

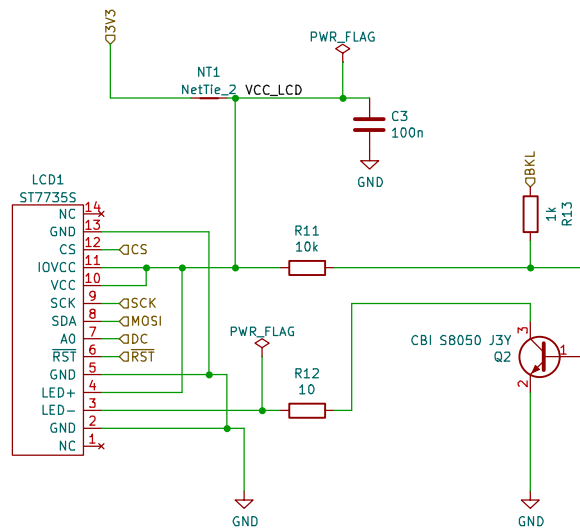
CH405 LABS

Sheet: /

File: BalCCon_Badge_0x28.kicad_sch

Title: Mini Cyberdeck 0o00 (MC-0o00)

Size: A4	Date: 2024-09-14	Rev: 1
KiCad E.D.A. 8.0.4		Id: 1/2



CH405 LABS

Sheet: /display/
File: display.kicad_sch

Title: MC-0o00 - Display

Size: A4 Date: 2024-09-14

Rev: 2
Id: 2/2